

▶ WATCH NOW

Scan me on your phone camera to watch our assembly video.



ELIXIR

PRO BATH LIFT



USER MANUAL

PRODUCT CODE: BA01020007

INTRODUCING YOUR ELIXIR PRO BATHLIFT

The Elixir Pro Bathlift has been designed to increase user independence when bathing.

Due to CareCo's commitment to continuous product improvement, product information and designs are subject to change without notice. No claims can be made based on the data and illustrations in this user manual.

It is the responsibility of the user and/or attendant to determine if they are mentally and physically capable of using the bathlift safely. A risk assessment should be completed by a competent individual before operating the bathlift.

The Elixir Pro Bathlift is a Class I Medical Device.

This product conforms to the requirements of the international standard IEC60601-1-2.



CareCo (UK) Limited, 1 Turing Court,
Great Notley, Braintree, CM77 7AT

Tel: 0333 015 5000
www.CareCo.co.uk

Thank you for choosing CareCo.



This manual can be viewed in PDF format at the following URL: **www.careco.co.uk**

FIRST USE

Take the time to understand the bath lift's operation and controls.

Ensure the base of the bath and suction pad surfaces are clean to prevent injury and product damage.

Ensure the bath lift is securely placed in the bath, with enough space to recline the backrest.

If any additional assembly, disassembly and/or operation assistance is required, please contact CareCo.

Keep this user manual in a safe place for future reference.

KEY DEFINITIONS

This user manual contains warnings and suggestions marked with the following symbols:



WARNING! Highlights a potentially hazardous condition/situation for the user and/or product.



SUGGESTION General suggestions and advice for operating the product.

Need help with assembly?

We've put together a step-by-step assembly guide to help you get your product set up safely and correctly. Just scan the QR code with your phone camera to play the video.



CONTENTS

GETTING STARTED _____	6
CARTON CONTENTS	
PRODUCT COMPONENTS	
SETTING UP YOUR ELIXIR PRO BATHLIFT	
HOW TO USE YOUR BATHLIFT _____	9
USER INSTRUCTIONS	
HANDSET CONTROLS	
HANDSET LED INDICATOR	
BATTERY SPECIFICATION	
CHARGING YOUR ELIXIR PRO HANDSET	
CHARGING REGIME	
LOOKING AFTER YOUR ELIXIR PRO BATHLIFT _____	13
CLEANING	
SANITISING	
TRANSPORTATION _____	14
STORAGE _____	14
SHORT TERM STORAGE	
LONG TERM STORAGE	
MAINTENANCE _____	15
MAINTENANCE SCHEDULE	
REPAIRS	

TROUBLESHOOTING	16
WARNINGS & TECHNICAL INFORMATION	17
SPECIFICATIONS	
DIMENSIONS	
ELECTROMAGNETIC INTERFERENCE (EMI)	
PRODUCT REUSE	
RECYCLING & DISPOSAL	
INTENDED USE	
INTENDED USER	
INTENDED ENVIRONMENT	
PRODUCT IDENTIFICATION	
GENERAL WARNINGS	
EXPECTED LIFETIME	23
WARRANTY	24
NOTES	25

GETTING STARTED

CARTON CONTENTS

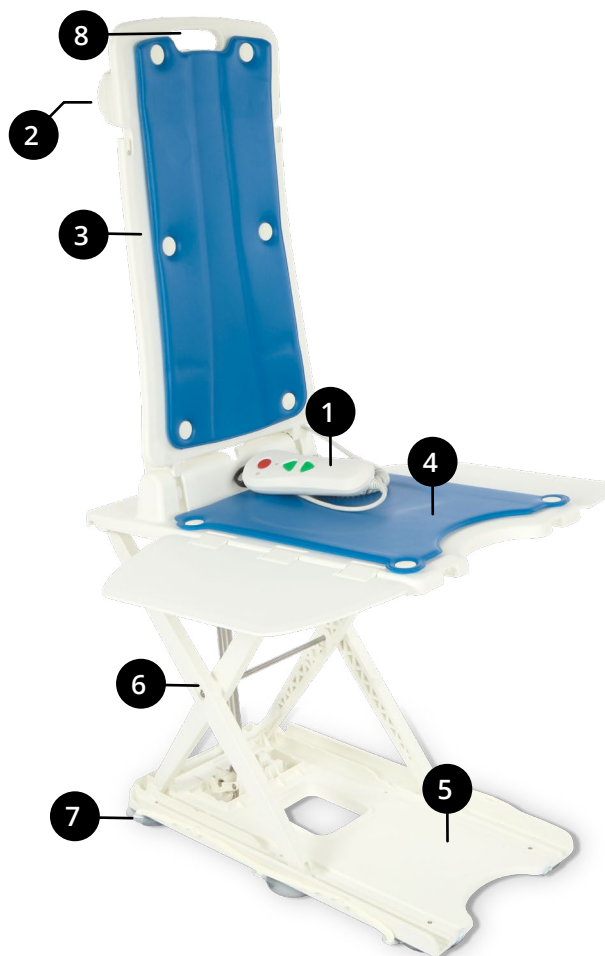
ITEM NUMBER	DESCRIPTION	QUANTITY
1	Elixir Pro Bathlift Backrest	1
2	Elixir Pro Bathlift Base	1
3	Elixir Pro Handset	1
4	Bathlift Cover Set	1
5	Charger	1
6	User Manual	1

Contact CareCo immediately if any of the listed contents are missing.

We strongly recommend that you keep the box and internal packaging for the duration of your warranty period.

PRODUCT COMPONENTS

1. Handset
2. Linear Actuator
3. Backrest
4. Seat
5. Base
6. Scissor Lift Mechanism
7. Suction Pads
8. Carry Handle



SETTING UP YOUR ELIXIR PRO BATHLIFT



1. Remove all bathlift components from the outer packaging and place them onto a level surface.

2. Unfold the bathlift base side flaps.



3. Connect the backrest to the base by locating the hooks into the rear slots.

4. Unfold the backrest.



SUGGESTION Ensure the actuator is securely located in the rear base catch before use.



5. Push the cover clips into the base to install the seat base cover.



6. Push the cover clips into the backrest to install the backrest cover.



7. Charge the handset for 4-6 hours before first use.



8. Connect the handset to the actuator when ready for use.

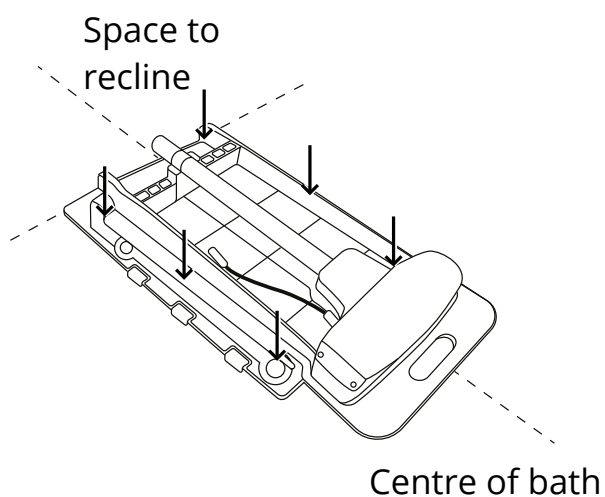


SUGGESTION Subsequent charging times range from 2-3 hours. Visit 'CHARGING YOUR ELIXIR PRO HANDSET' for more information.

HOW TO USE YOUR BATHLIFT

USER INSTRUCTIONS

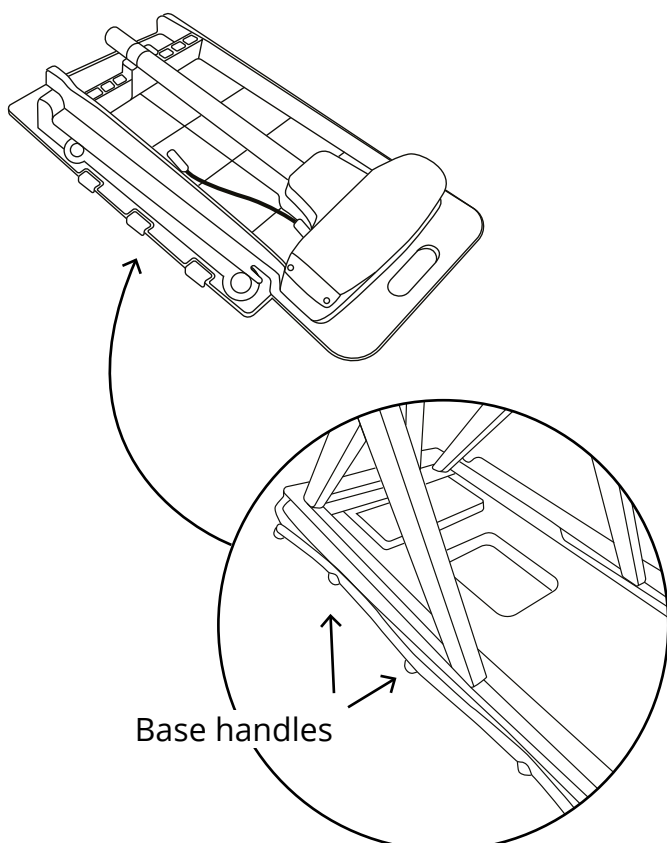
SECURING & REMOVING



SECURING

Place the folded bath lift into an empty bath ensuring that there is enough space to recline the backrest.

Firmly press down on the bath lift to ensure all suction pads are in contact with the bottom of the bath.



REMOVING

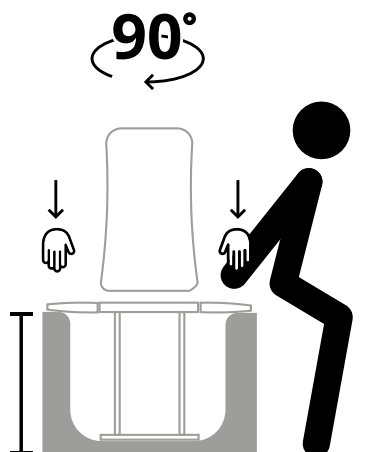
Ensure the bath is empty and the bath lift is at its lowest point before removing.

Fold over the side flaps, then fold the backrest onto the base.

Pull the base handles upwards to remove the suction pads from the bottom of the bath.

Lift the bath lift out of the bath.

TRANSFERRING TO & FROM

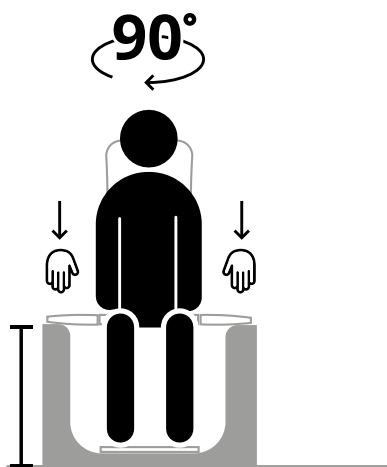


TRANSFERRING TO

Raise the bath lift until the seat is level with the top of the bath.

Support your body using the edge of the bath, before gradually lowering onto the seat.

Rotate your body and lift your legs over into the bath.



TRANSFERRING FROM

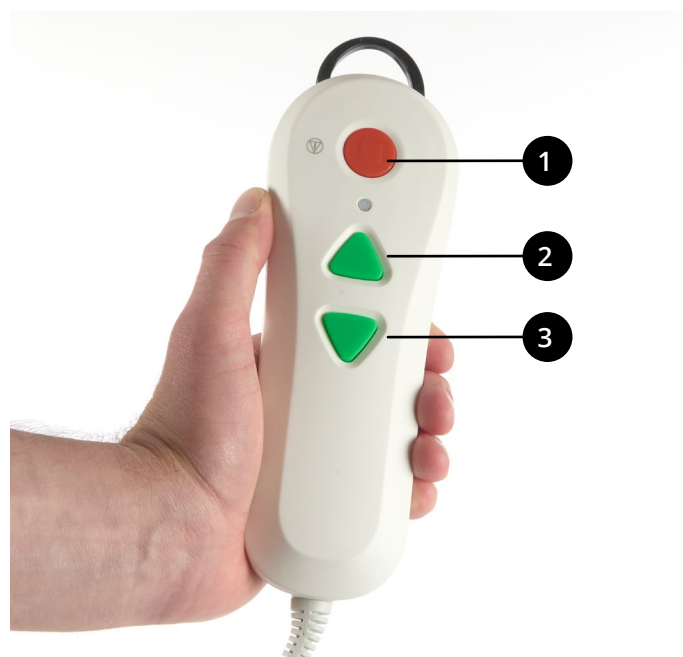
Raise the bath lift until the seat is level with the top of the bath.

Rotate your body and lift your legs over, out of the bath.

Support your body using the edge of the bath before pushing upwards to gradually lift out of the seat.

HANDSET CONTROLS

1. **EMERGENCY STOP** – Press to immediately stop the bathlift.
2. **LIFT** – Press and hold to raise the bathlift.
3. **LOWER** – Press and hold to lower the bathlift.



HANDSET LED INDICATOR

When in use, the LED indicator illuminates and displays the handset's battery status.

LED Indicator	Charging Status
● GREEN	Full Charge
● BLUE	Half Charge
● RED	Low Charge

BATTERY SPECIFICATION

BATTERY TYPE	LITHIUM-ION
SPILLABLE/NON-SPILLABLE	NON-SPILLABLE
VOLTAGE	14.8V
AMPAGE	2.2AH
QUANTITY	1

⚠ WARNING! Ensure both handset & actuator connections are clean and dry whenever connecting/disconnecting.

CHARGING YOUR ELIXIR PRO HANDSET

Disconnect the handset from the bathlift actuator before charging.

1. Connect the bathlift handset to the charger's outlet socket.
2. Insert the charger plug into a wall socket.
3. Switch [ON] the wall socket.
4. Charge for 2-3 Hours.

When charging is complete, switch [OFF] the wall socket, then disconnect the charger from the handset.



CHARGING REGIME

Maintaining good charging habits for your bath lift will maximize the battery life.

Battery charging times range from 2-3 hours. This is dependent on usage and operating habits.

Daily Use	If the bath lift is used daily, charge the battery for 2-3 hours every day.
Weekly Use	If the bath lift is used once or twice a week, charge the battery for at least 2-3 hours, once a week.
Monthly Use	If the bath lift is stored for long periods of time, charge the battery for 2-3 hours, once every two weeks to preserve the life of the battery.



WARNING! Do not use the supplied charger with any other electrical device.
Only charge the handset with the supplied charger or an official replacement.
Do not leave the handset on charge indefinitely.




SUGGESTION Charge the handset in a cool, dry place with plenty of ventilation.

LOOKING AFTER YOUR ELIXIR PRO BATHLIFT

CLEANING

After use, rinse the bath lift with warm water to remove any excess foam and soap.


Wipe over the bath lift thoroughly using a towel.

 **WARNING!** Do not use bleach or strong chemicals to clean the bath lift.
Ensure the handset is disconnected from the bath lift prior to cleaning.

 **SUGGESTION** Remove the seat & backrest pads when cleaning to avoid hidden build ups of soap and water.

SANITISING

Use a mild disinfectant to sanitise the bath lift before drying thoroughly with a towel.

 **WARNING!** Do not use bleach or strong chemicals to sanitise the bath lift.
Ensure the handset is disconnected from the bath lift prior to sanitising.

TRANSPORTATION

Clean & dry the bathlift following the instructions found within this user manual before transport.

1. Disconnect the bathlift handset.
2. Fold down the bathlift then lift it away from the bath.
3. Carry & transport the bathlift using the rear handle.

If transporting by vehicle, ensure any adjustable parts are properly secured to avoid transit damage.



STORAGE

SHORT TERM STORAGE

- Clean and dry the bath lift, then fold it down before storing in a cool and dry environment. Do not store in extreme temperatures.

LONG TERM STORAGE

- Fully charge the handset.
- Clean and dry the bath lift, then fold it down before storing in a cool and dry environment. Do not store in extreme temperatures.
- Charge the battery once every two weeks to preserve the life of the battery.



SUGGESTION Ensure the bath lift is completely dry before storing.



WARNING! Storing the bath lift in extreme temperatures can cause damage to the handset battery and actuator.

STORAGE TEMPERATURE RANGE

50°C/-10°C

MAINTENANCE

Your bath lift is made up of components which over time will become susceptible to wear and tear.

Knowing how to perform correct care and maintenance will not only ensure peak performance and safe operation but will also help maintain operation for years to come.

MAINTENANCE SCHEDULE

COMPONENT	INSPECTION DESCRIPTION	AT ANY TIME	WEEKLY	MONTHLY	QUARTERLY
FRAMEWORK	Ensure the framework is clear from debris, damage, and lifts/ lowers without issue.		○		
SUCTION PADS	Ensure the suction pads are in a good condition and are effective.	○			
HANDBSET	Ensure the handset and any relevant connections are free from damage and corrosion.				○
ACTUATOR	Ensure the actuator and any relevant connections are free from damage and corrosion.				○
UPHOLSTERY	Check for wear and tear.			○	
OVERALL	Overall check for wear and residue build-up. Cleaning if required.	○			

REPAIRS

Certain bath lift components can be repaired by the user with guidance provided by CareCo.

Other components can only be repaired/replaced by a service technician.

If for any reason the bath lift requires repair due to a defect, contact CareCo immediately.

TROUBLESHOOTING

Your bath lift may fail to operate due to an internal issue.

FAULT	POSSIBLE CAUSE	POSSIBLE REMEDY
The bath lift will not lift/lower.	The handset has insufficient charge.	Charge the handset for 4-6 hours.
	The actuator has seized.	Contact CareCo.
The bath lift is unstable when in use.	The suction pads are obstructed.	Clean the base of the bath and the suction pads, then reposition the bathlift.
The bath lift will only lift when vacant.	The weight limit has been exceeded.	Contact CareCo.
The handset is unresponsive.	The handset has insufficient charge.	Charge the handset for 4-6 hours.
	There is an internal issue	Contact CareCo.



SUGGESTION It is normal for the bath lift to make audible noise during action. If you notice an unusual noise, please contact CareCo.

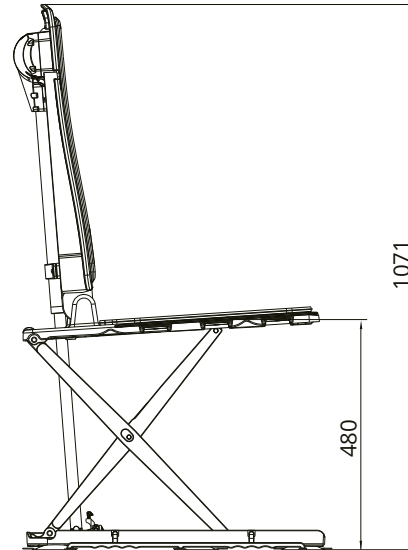
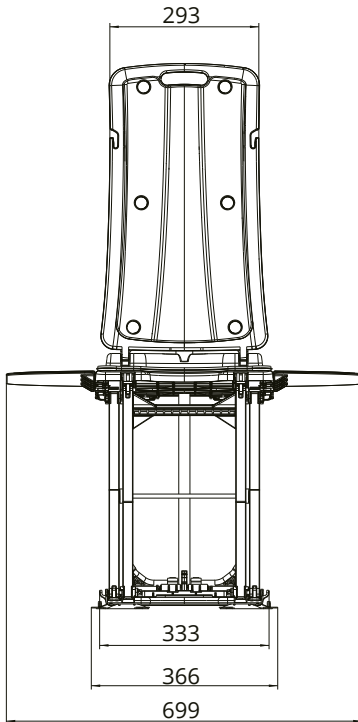
WARNINGS & TECHNICAL INFORMATION

SPECIFICATIONS

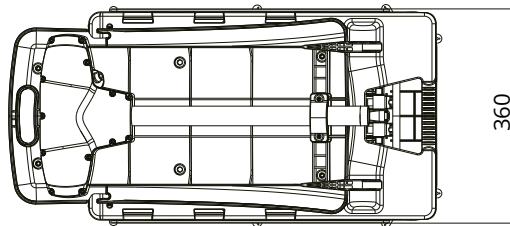
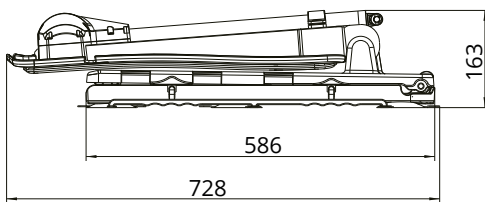
OVERALL LENGTH (FULL RECLINE) (MM)	911
OVERALL WIDTH (INC SIDE FLAPS) (MM)	699
OVERALL WIDTH (EXC SIDE FLAPS) (MM)	366
MINIMUM SEAT HEIGHT (MM)	60
MAXIMUM SEAT HEIGHT (MM)	480
MINIMUM OVERALL HEIGHT (MM)	163
MAXIMUM OVERALL HEIGHT (MM)	1071
BASE PLATE WIDTH (MM)	366
SEAT WIDTH (MM)	350
SEAT DEPTH (MM)	434
BACKREST HEIGHT (MM)	510
BACKREST WIDTH (MM)	292-327
OVERALL WEIGHT (KG)	14
CARRY WEIGHT (KG)	10.8
HANDSET WEIGHT (KG)	0.58
ACTUATOR UNIT WEIGHT (KG)	4.25
BASE UNIT WEIGHT (KG)	6.55
WEIGHT CAPACITY (KG)	136
TIME DURATION FROM LOWEST POINT TO HIGHEST POINT (SECONDS)	UNOCCUPIED: 25-35 Seconds OCCUPIED: 40-50 Seconds
OPERATING VOLTAGE	12-14.8V
OPERATING HUMIDITY	Under 40°C 20%-90%
OPERATING AIR PRESSURE	700-1060 hPa
BATTERY SPECIFICATIONS	14.8V 2.2Ah
IPX RATING	IP68
BACKREST ANGLE ADJUSTMENT (°)	0 - 140
MAX/MIN OPERATING TEMPERATURE (°C)	5 / 40
MAX/MIN STORAGE TEMPERATURE (°C)	50 / -10
EXPECTED SERVICE LIFE (YEARS)	5

DIMENSIONS

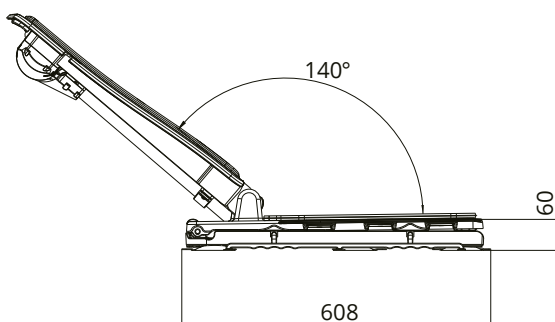
Unfolded



Folded



Extended



ELECTROMAGNETIC INTERFERENCE (EMI)

Electromagnetic interference resistance is the ability of a product, device, or system to work properly in the presence of electromagnetic interference (EMI).

This bath lift is designed and manufactured in accordance with the existing electromagnetic compatibility standards and related requirements. The use of this bath lift in the presence of electromagnetic fields may cause a reduction in the performance of the lift's movement. If this occurs, it is recommended that the environment in which the bath lift is used, is examined to identify possible sources of interference.

Interference may come from other electrical equipment used in the same area, or from portable and mobile RF communication equipment such as cellular phones, walkie talkies, radio equipment, televisions, or microwave transmission equipment.

If electromagnetic interference (EMI) affects the operation of the bath lift, it may be necessary to move the sources of interference to other locations or take appropriate electromagnetic interference suppression measures.

The bath lift system conforms to the requirements of the international standard IEC60601-1-2.



WARNING! Use of unauthorised components and accessories may reduce the bath lifts immunity to EMI.

Do not operate portable personal communication devices, such as citizen band (CB) radios and mobile phones when the bath lift is moving.

If use of a personal communication device is required, ensure the bath lift operates as intended.

PRODUCT REUSE

Follow the maintenance schedule found within this user manual as well as sanitising the product before reuse.

When transferring this product to another individual, ensure all technical documentation and user manual are available.

If parts require replacement before transferring, contact CareCo.

RECYCLING & DISPOSAL

Bath lift components should not be disposed of with normal household waste as they can cause harm to the environment.

When disposing of the bath lift and/or its components, users should follow Waste Electrical and Electronic Equipment policies (W.E.E.E).

For handset (battery) disposal, users should follow local disposal/recycling regulations.

Contact CareCo if further advice is needed regarding recycling & disposal.

INTENDED USE

To assist an individual to enter and leave the bathing space more easily and conveniently.

INTENDED USER

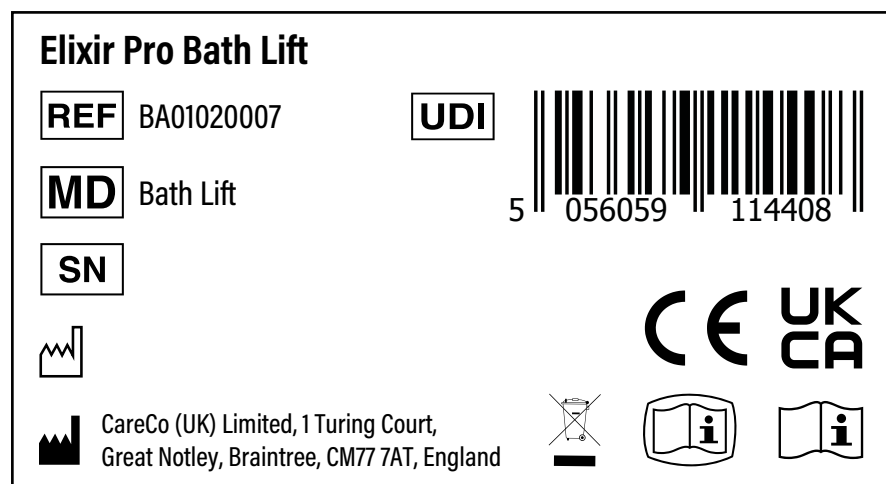
To aid a user with mobility limitations to move around independently and safely.

INTENDED ENVIRONMENT












This bathlift is designed to be used in indoor environments only.

PRODUCT IDENTIFICATION

The product identification label is located on the top of the actuator.



DEFINITIONS

	Product code		Indicates electrical / electronic equipment must be disposed of in accordance with the WEEE regulation.
	Medical device		
	Serial number		Electronic manual
	Unique device identification		
	Date of manufacturer		Operator's manual
	Manufacturer's address		
	UKCA mark		
	CE mark		

GENERAL WARNINGS

- Do not exceed the maximum user weight.
- Do not stand on or kneel on the bath lift.
- Do not use the bath lift for any other purpose other than its intended use.
- Do not let children play with the bath lift.
- Do not place hands near moving parts when in use.
- Do not modify the bath lift.
- Do not place the handset near heat sources.
- Do not use the bathlift if any components are damaged.
- Do not use the bathlift on a sloped surface of more than 5 degrees.
- Do not use the bathlift on a stepped surface.
- Do not place objects near the scissor mechanism.

EXPECTED LIFETIME

The Expected Lifetime is the estimated period of time for which the bath lift is expected to function according to its intended use.

Various items such as weight capacity, user behaviour, and intensity of use can affect the expected lifetime.

WEIGHT CAPACITY:

If the user exceeds the weight limit specified, it may affect the bath lift's expected lifetime.

USER BEHAVIOUR:

Using excessive force, rough handling or dropping components can significantly shorten the bath lift's expected lifetime.

EXTERNAL CONDITIONS:

Exposure to direct sunlight, humidity and extreme temperatures can impact the bath lift over time. Ensure the bath lift is kept in a suitable environment to minimize these effects.

USAGE:

A bath lift that is used daily may experience more wear and tear compared to a bath lift that is used occasionally.

The expected lifetime for the bath lift is 5 years providing the instructions and information within this user manual are followed.

Regular cleaning, lubrication of moving parts, and tightening of loose fixings will prevent premature wear and damage and extend the product's lifetime.

The expected lifetime is not related to the product warranty.

WARRANTY

If a component requires repair or replacement due to a specific manufacturing or material defect within its warranty period, it will be repaired or replaced free of charge by CareCo.

- **FRAME: 1-YEAR LIMITED WARRANTY**
- **ELECTRONIC COMPONENTS: 1-YEAR LIMITED WARRANTY**

Consumables are not covered under normal warranty circumstances unless they have clearly suffered excessive wear or damage as a direct result of a manufacturing defect. These items include grips and rubber accessories.

The guarantee for the bathlift is not transferable.

Parts that have been previously replaced that require subsequent repair or replacement due to manufacturing defects will be honoured for the remainder of the bathlifts warranty period.

Parts that have been purchased by the end user after the original warranty period has expired have a warranty period of 12 months.

CareCo is not responsible if the bathlift requires repair or replacement as a direct result of:

- Changes or modifications made to the product that fall outside of the manufacturer's specifications
- The product not being serviced or maintained according to the manufacturer's recommendations contained in this user manual.
- Negligence, Accidental Damage, and Improper use.
- Repairs attempted before CareCo have been notified.
- The product being purposely damaged or mistreated.

In the unlikely event that this product is recalled, CareCo will notify the user.

Please ensure that your contact information is up to date.

Alternatively, please visit our website for any product alerts: www.CareCo.co.uk

NOTES

NOTES

NOTES

CareCo

CareCo (UK) Limited, 1 Turing Court,
Great Notley, Braintree, CM77 7AT, England



BATH LIFT



24 09 02