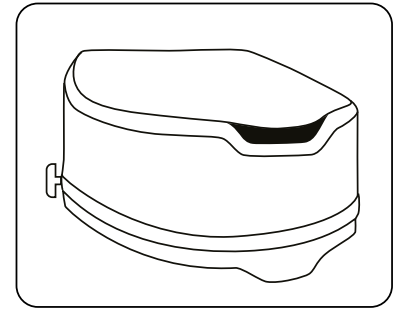




# Pride Raised Toilet Seat



PRODUCT CODE: **BA02040006**

## BEFORE USE

---

Please ensure you, and any persons that will assist you in its use, take the time to read, understand and follow the instructions in this user manual.

The Pride Raised Toilet Seat is intended to assist individuals when sitting down and/or standing up from the toilet.

It is the responsibility of the user and/or attendant to determine the safety and suitability of the raised toilet seat for the intended environment.

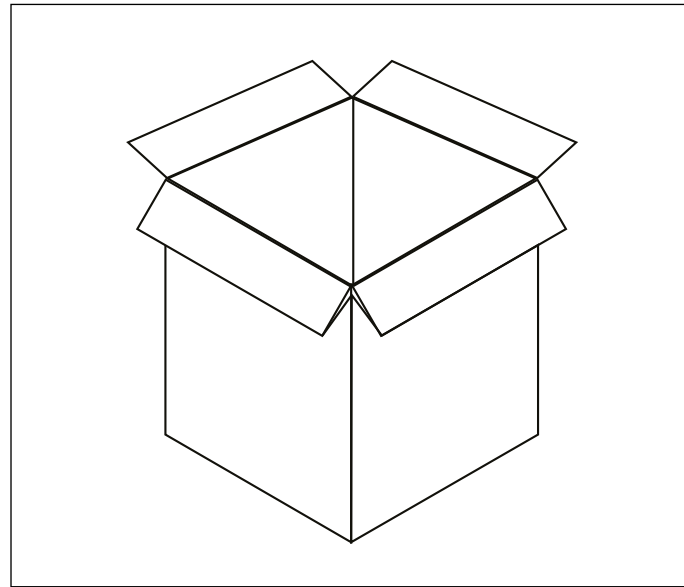
This product has been tested in accordance with BS ISO 17966:2016

## SAFETY GUIDELINES

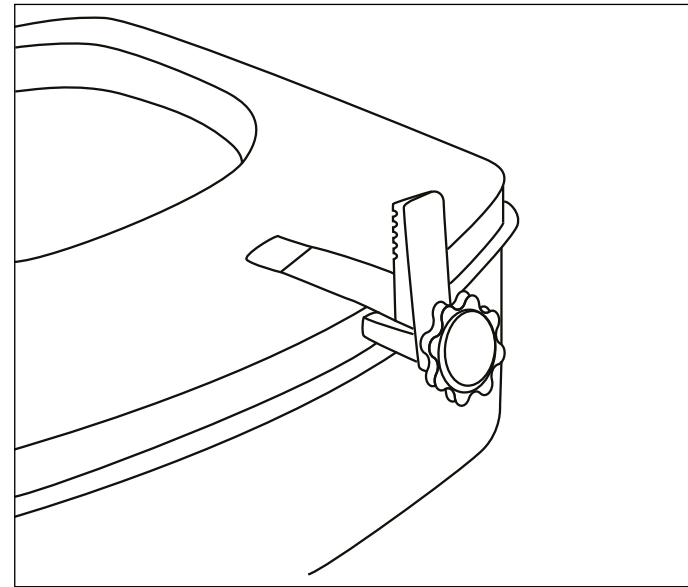
---

- Do not exceed the maximum user weight stated.
- Do not stand on the raised toilet seat at any time.
- Ensure the raised toilet seat is placed evenly onto the toilet bowl and is secure before use.
- Periodically check the toilet seat components are secure and free from wear and damage.

## SETTING UP YOUR PRIDE RAISED TOILET SEAT

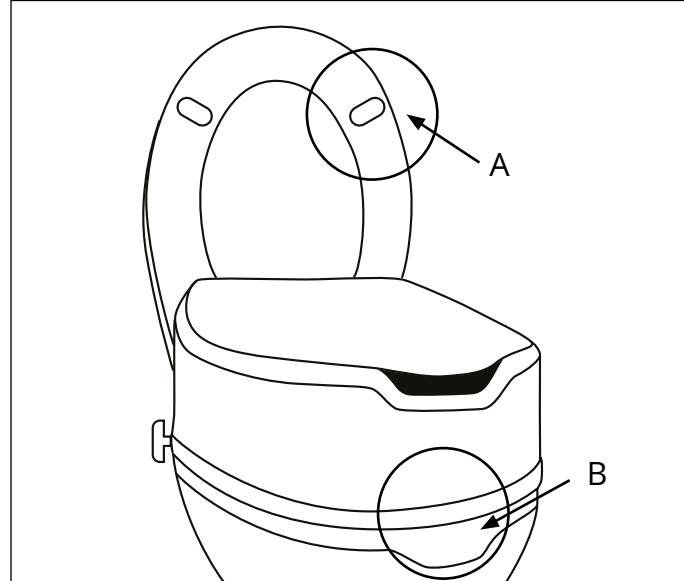


1. Remove all components from the outer packaging and place them onto a level surface.

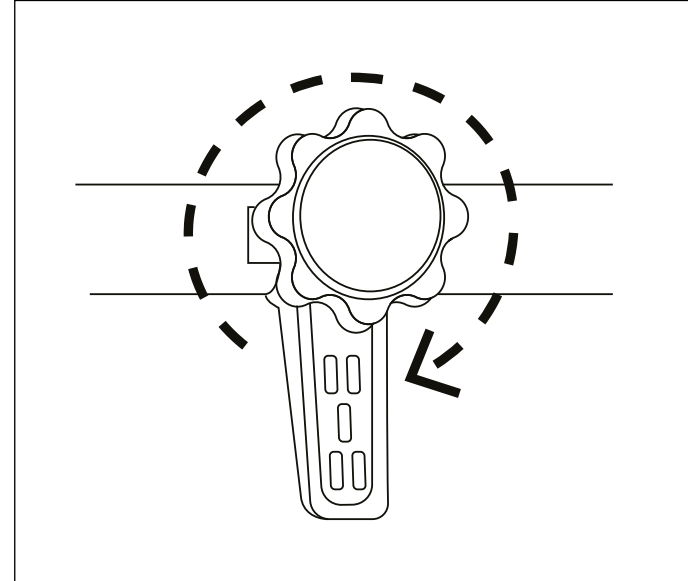


2. Insert the hand screw assembly into the base of the raised toilet seat, then repeat on the other side.

Do not tighten the hand screws fully.



3. Lift the existing toilet seat and lid, then place the raised toilet seat onto the toilet bowl.



4. Tighten the hand screws to secure the raised toilet seat to the toilet bowl.

**⚠ WARNING!** Ensure the raised toilet seat is placed evenly onto the toilet bowl and is secure before use.

## CLEANING

Clean the toilet seat regularly to avoid residue build up.

Use a damp sponge/cloth and mild soap to clean the toilet seat, then dry thoroughly using a towel.

Do not use harsh substances to clean the toilet seat as this can damage its components.

## SANITISING

Use a mild disinfectant to sanitise the toilet seat.

## MAINTENANCE SCHEDULE

Your toilet seat is made up of components which over time will become susceptible to wear and tear.

Perform regular inspections to ensure the toilet seat operates as intended.

COMPONENT	INSPECTION DESCRIPTION	AT ANY TIME	WEEKLY	MONTHLY	QUARTERLY
Fasteners	Ensure all fasteners are tight and secure.		○		
Plastic Components	Ensure plastic components aren't damaged.				○
Overall	Overall check for wear and residue build-up. Cleaning if required.			○	

## SPECIFICATIONS

OVERALL LENGTH (MM)	401
OVERALL WIDTH (MM)	367
OVERALL HEIGHT (MM)	150
MAX USER WEIGHT (KG)	180
ADJUSTABLE FROM (MM)	126
PRODUCT WEIGHT (KG)	1.8

## RECYCLING & DISPOSAL

---

Recycling or disposal of the toilet seat should be completed through an approved distributor or disposal facility. (Local disposal & recycling regulations may apply)

Contact CareCo if further advice is needed regarding recycling & disposal.

## WARRANTY

---

If a component requires repair or replacement due to a specific manufacturing or material defect within its warranty period, it will be repaired or replaced free of charge by CareCo.

### 1-YEAR LIMITED WARRANTY

CareCo is not responsible if the toilet seat requires repair or replacement as a direct result of:

- Changes or modifications made to the product that fall outside of the manufacturer's specifications.
- The product not being serviced or maintained according to the manufacturer's recommendations contained in this user manual.
- Negligence, Accidental Damage, and Improper use.
- Repairs attempted before CareCo have been notified.
- The product being purposely damaged or mistreated.

In the unlikely event that this product is recalled, CareCo will notify the user. Please ensure that your contact information is up to date.

Alternatively, please visit our website for any product alerts: [www.CareCo.co.uk](http://www.CareCo.co.uk)