

Securus

FOLDING BED RAIL

PRODUCT CODE: BD03030009

 WATCH NOW

Scan me on your phone camera to watch our assembly video.



BEFORE USE:

Please ensure you, and any persons that will assist you in its use, take the time to read, understand and follow the instructions in this user manual.

This bed rail is designed for use with standard, frame and panel beds but may be compatible with other style beds. It is the responsibility of the user and/or attendant to determine the safety and suitability of the bed rail for the intended bed/environment.

This product is intended to provide balance and support to individuals when sitting, standing, and laying.

SAFETY GUIDELINES:

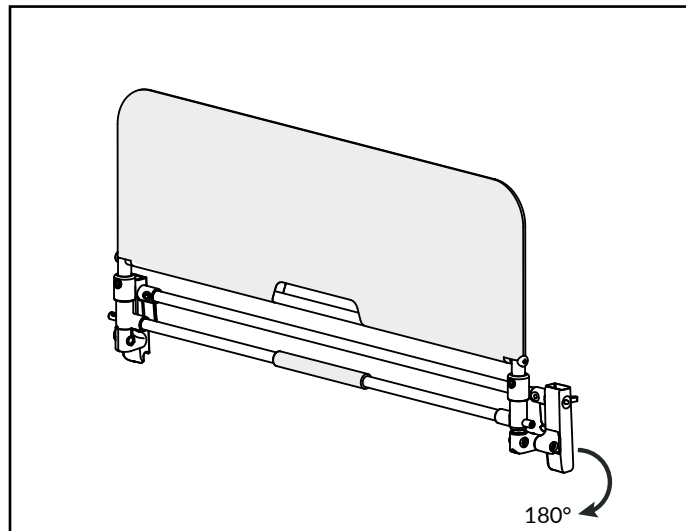
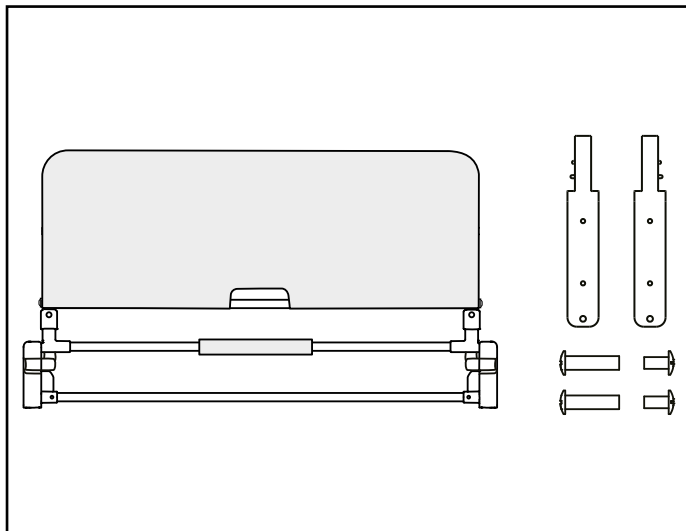
- Do not use the bed rail if any components are broken or missing.
- Do not install the bed rail to a damaged/defective bed frame.
- Do not allow children to play on or operate the bed rail.
- Beware of entrapment points when using the bed rail.
- Ensure there is no gap between the bed rail and the mattress.
- Periodically check the bed rail is installed correctly.

The gap measurement between the footboard/headboard and the bed rail must be less than 60mm or greater than 318mm to minimise the risk of entrapment.

CARTON CONTENTS:

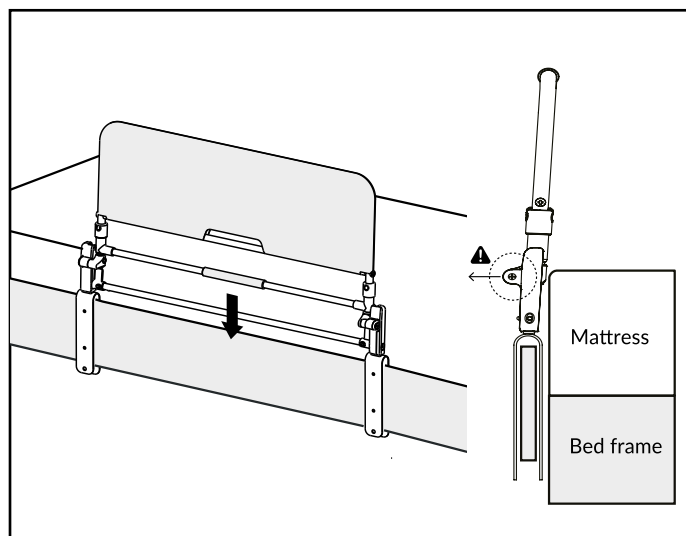
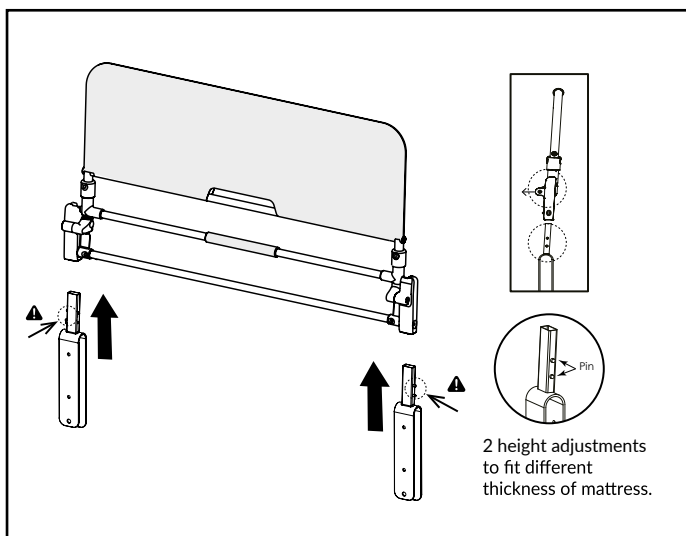
DESCRIPTION	QUANTITY
SECURUS BED RAIL	1
U BRACKET	2
SECURING BOLT	2

SETTING UP YOUR SECURUS BED RAIL



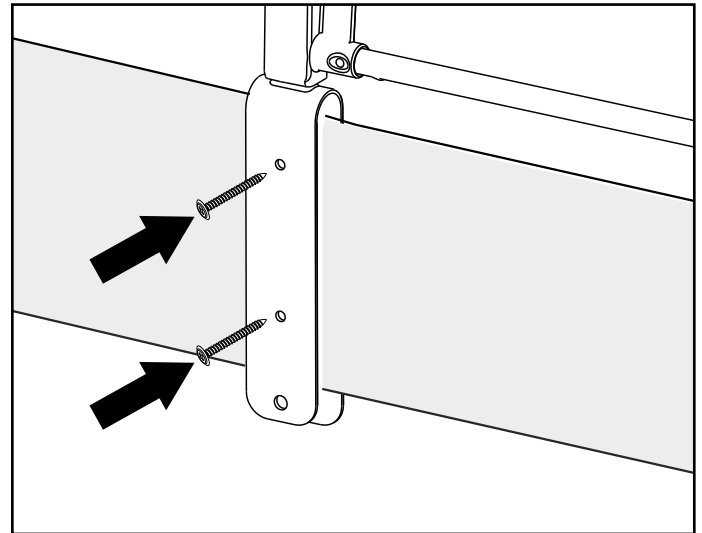
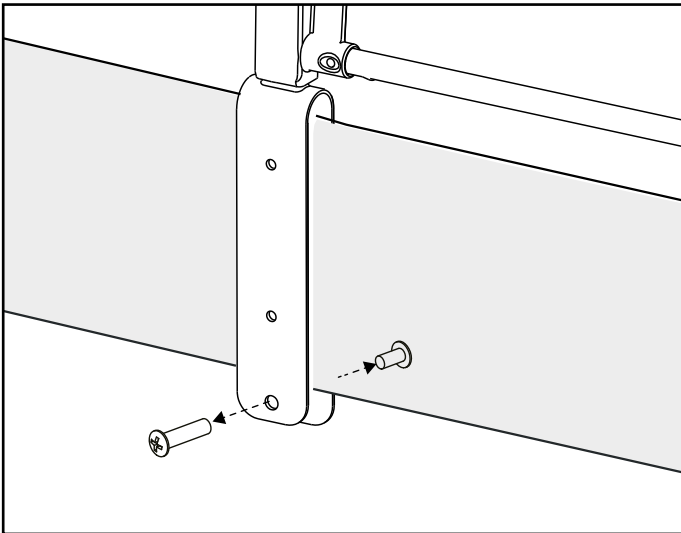
1. Remove all components from the outer packaging and place them onto a level surface.

2. Fold down the bed rail frame.



3. Insert the U bracket(s) into the bed rail frame base.

4. Place the bed rail onto the bed frame.



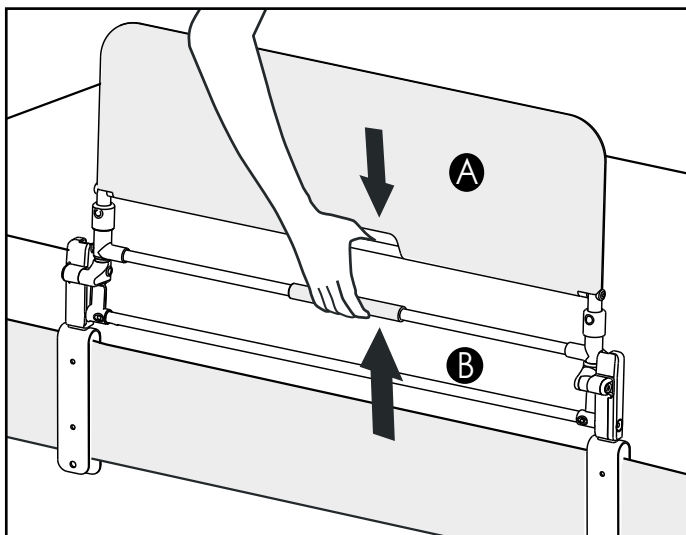
5. Secure the bed rail to the bed frame using the securing bolts.

(Optional) Permanently fix the bed rail to the bed frame using suitable fixings.

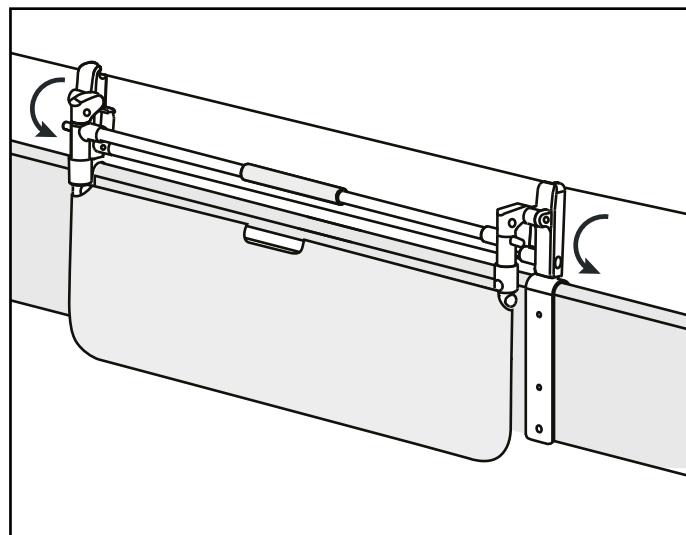
! **WARNING!** Ensure the bed rail is properly secured before use.

HOW TO USE YOUR SECURUS BED RAIL

UNFOLDING

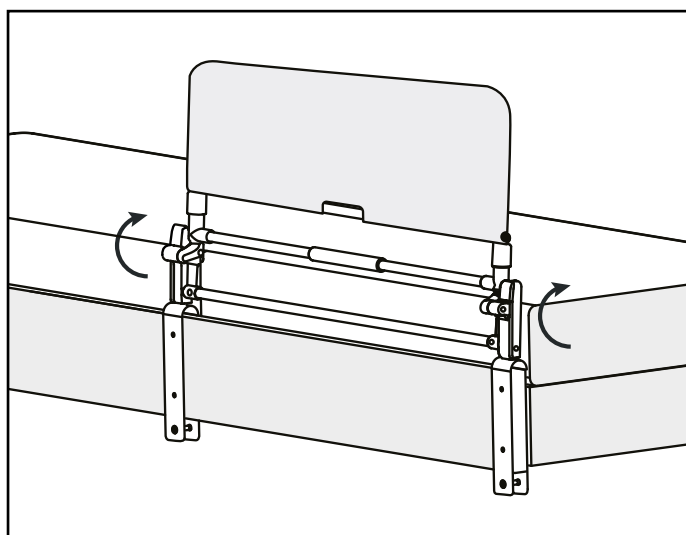


1. Lift the handle to unlock the bed rail.



2. Fold down the bed rail.

FOLDING



1. Lift the bed rail upwards until vertical.
An audible "click" will confirm the bed rail is secure.

CLEANING

Clean and dry the bed rail regularly to avoid residue build up and corrosion.

Use a damp sponge/cloth and mild soap to clean the bed rail, then dry thoroughly using a towel.

Do not use harsh substances or excessive water to clean the bed rail as this can damage its components.

MAINTENANCE SCHEDULE

Your bed rail is made up of components which over time will become susceptible to wear and tear.

Perform regular inspections to ensure the bed rail operates as intended.

COMPONENT	INSPECTION DESCRIPTION	AT ANY TIME	WEEKLY	MONTHLY	QUARTERLY
Fasteners	Ensure all fasteners are tight and secure.		○		
Folding/Unfolding Mechanism	Ensure the mechanism operates as intended.	○			
Plastic Components	Ensure plastic components aren't damaged.				○
Metal Framework	Ensure welds and joins are not distorted/showing any signs of failure.				○
Upholstery	Check for wear and tear.				○
Overall	Overall check for wear and residue build-up. Cleaning if required.			○	

SPECIFICATIONS

OVERALL LENGTH	91.5CM
OVERALL WIDTH	5CM
OVERALL HEIGHT	68-70CM
WEIGHT CAPACITY	100KG
U BRACKET LENGTH	5CM
U BRACKET WIDTH	3.35CM
U BRACKET HEIGHT	22.8CM

RECYCLING & DISPOSAL

Recycling or disposal of the bed rail should be completed through an approved distributor or disposal facility. (Local disposal & recycling regulations may apply)

Contact CareCo if further advice is needed regarding recycling & disposal.

WARRANTY

If a component requires repair or replacement due to a specific manufacturing or material defect within its warranty period, it will be repaired or replaced free of charge by CareCo.

1-YEAR LIMITED WARRANTY

CareCo is not responsible if the bed rail requires repair or replacement as a direct result of:

- Changes or modifications made to the product that fall outside of the manufacturer's specifications.
- The product not being serviced or maintained according to the manufacturer's recommendations contained in this user manual.
- Negligence, Accidental Damage, and Improper use.
- Repairs attempted before CareCo have been notified.
- The product being purposely damaged or mistreated.

The logo for CareCo, featuring the word "CareCo" in a bold, black, sans-serif font. A stylized, curved line above the "e" and "o" suggests a wave or a protective shield.

Tel: 0333 015 5000
www.CareCo.co.uk