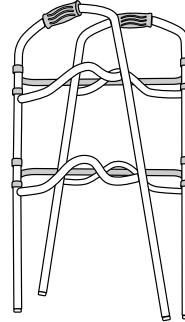




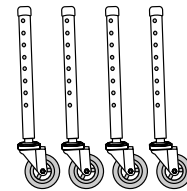
## BEFORE USE:

Carefully remove all packaging. Avoid using any knives or other sharp instruments as this may damage the surface of the item. Check the product for any visible damage. If you see any damage or suspect a fault, do not use your product, but contact your supplier for support.

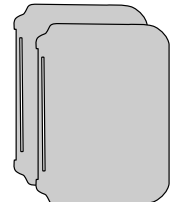
## WHAT'S IN THE BOX:



x2 frames

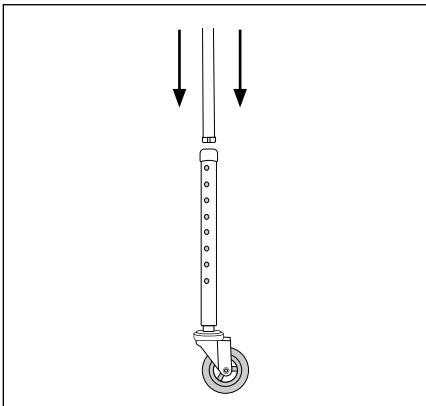


x4 legs

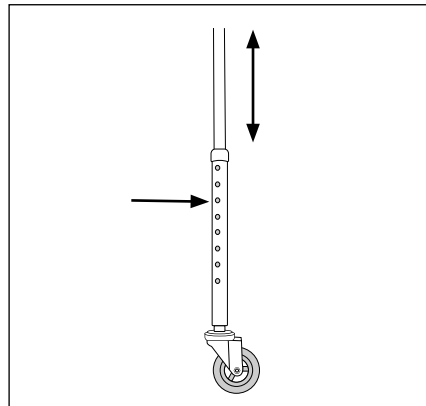


x2 trays

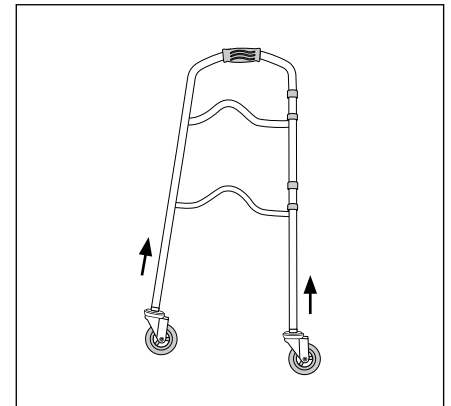
## ASSEMBLY:



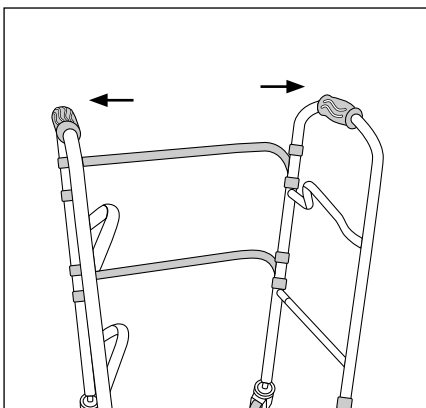
1. Push the inner leg into the outer leg tube



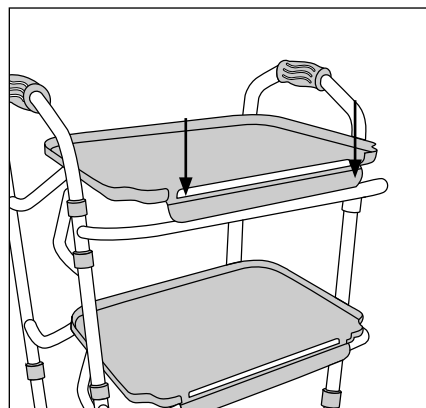
2. Then push the silver button to slide-adjust the leg to the required height



3. Put all 4 legs on the skeleton of the frame



4. Stand up the frame and open out to "trolley" position



5. Clip both trays onto the frames



6. Ensure all parts are attached securely before using the trolley.