

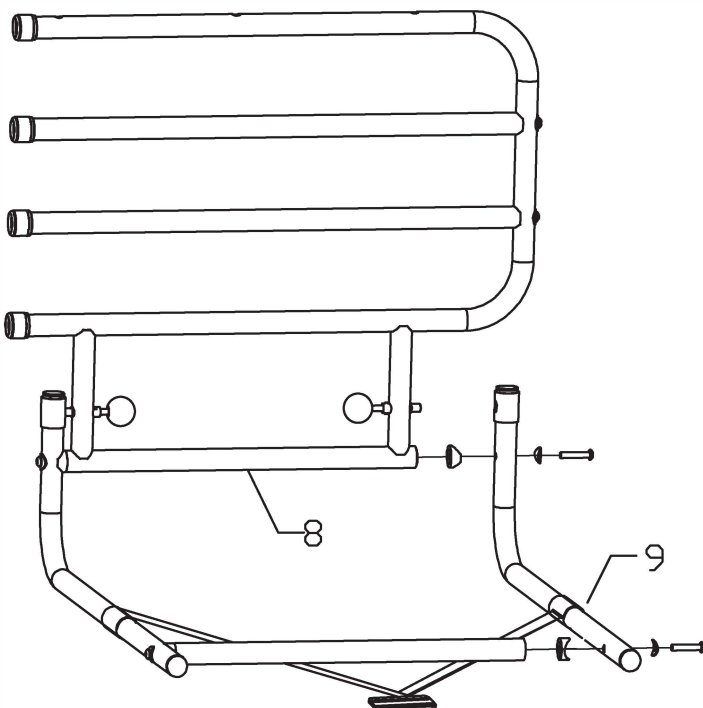
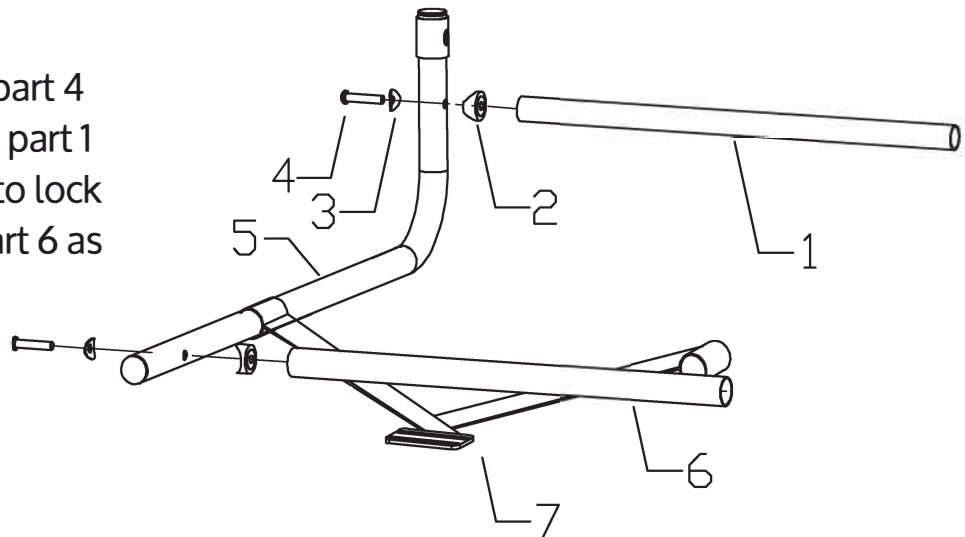
Flexus Adjustable Bed Rail - BD03030003

No.	Part Name	Quantity
1	Inner Tube	1
2	Plastic Curved Gasket	4
3	Iron Arc Gasket	4
4	Pan Head Hexagonal Screw	4
5	Supporting Foot - Left	1
6	Cross Tube	1

No.	Part Name	Quantity
7	Safety Belt (Short)	1
8	Main Frame	1
9	Supporting Foot - Right	1
10	Telescopic Inner Tube Set	1
11	Telescopic Outer Tube Set	1
12	Safety Belt (Long)	1

STEP 1.

Insert part 7 into part 5. Feed part 4 through parts 3, 5 and 2. Hold part 1 by hand. Use the hex wrench to lock part 4. Assemble part 1 and part 6 as above.



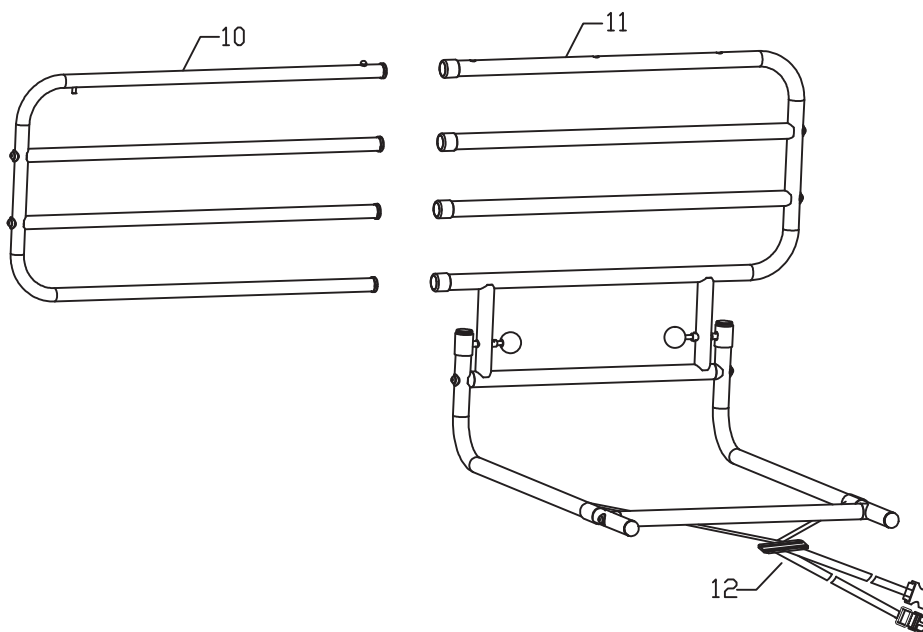
STEP 2.

Insert part 1 into part 8 and insert part 7 (seat belt) into part 9. Assemble part 8 according to the method of STEP 1. Lock all screws tightly.

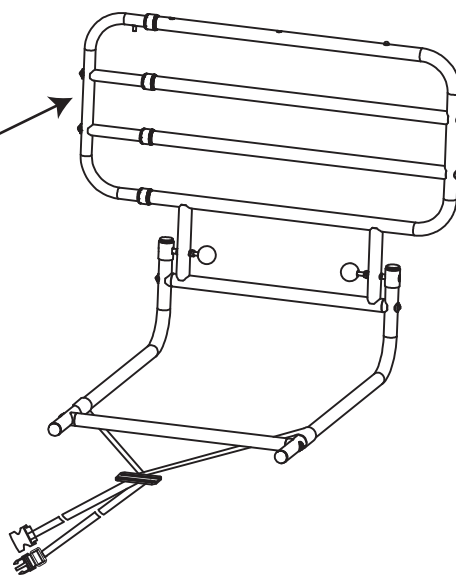
Flexus Adjustable Bed Rail - BD03030003

STEP 3.

Press part 10 into the marble and insert into part 11. Adjust the marble to the appropriate hole position. Insert part 12 into part 7. Bind the mattress with part 12 to complete assembly.

**Note:**

Apply pressure using your hand to the area indicated by the arrow when stretching.

**SAFETY INSTRUCTIONS**

1. When using make sure that the seat belt is tied to the mattress and the bed board, and the mattress is pressed against the support foot.
2. When the bolts on both sides are completely inserted into the hole, the armrest frame is fixed and can be used.
3. The maximum load must not exceed 180kg.
4. This product needs to be properly installed and used correctly. If it is installed incorrectly or used improperly it will cause damage to the product and risk personal injury.