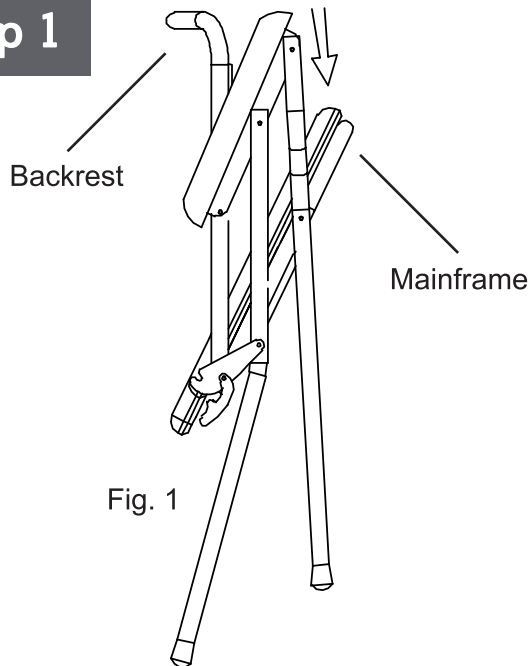
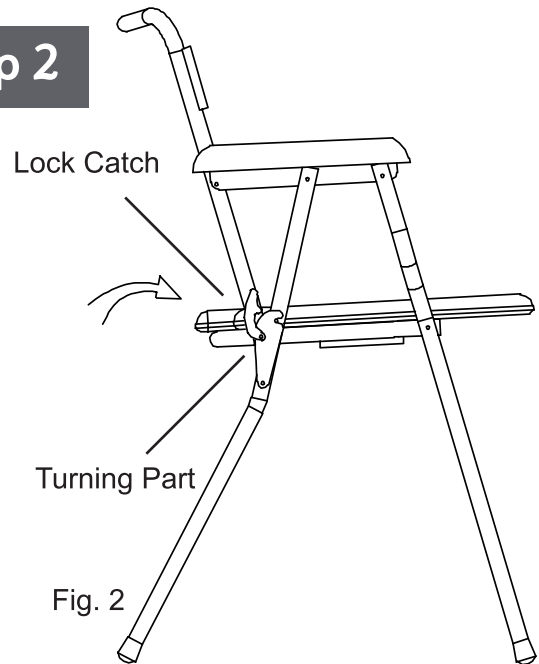


Step 1



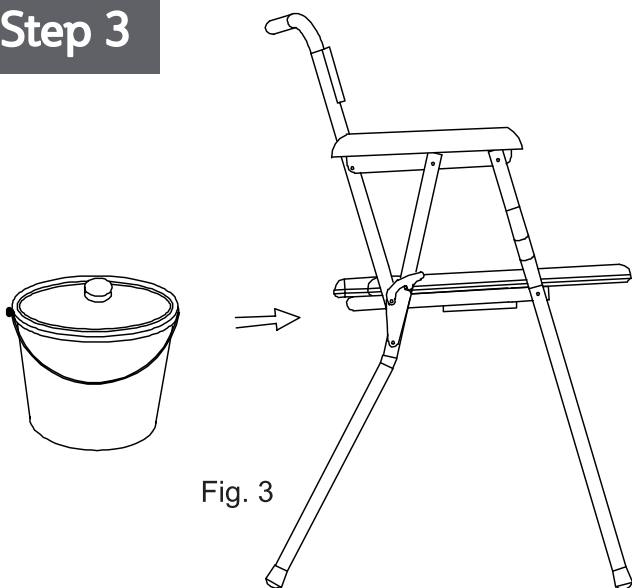
Unfold the main frame.

Step 2



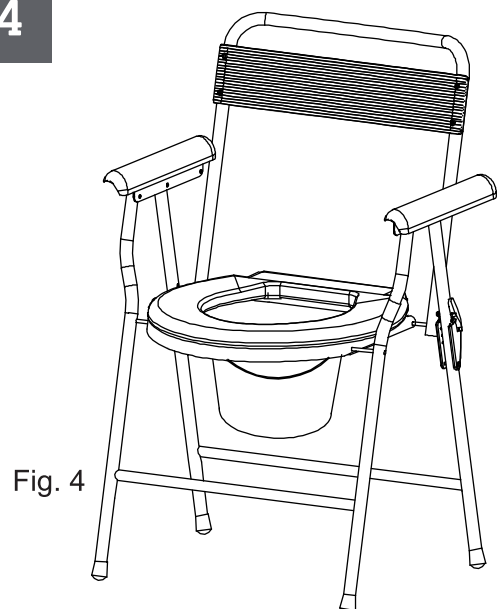
Push the lock catch and check that the chair is stable.

Step 3



Insert the bucket.

Step 4



Check the stability of the commode chair before use.

Safety & Maintenance

1. Before use, please check all the screws are tightened and the main frame is stable.
2. Clean and sterilise regularly.
3. Store in a ventilated space.